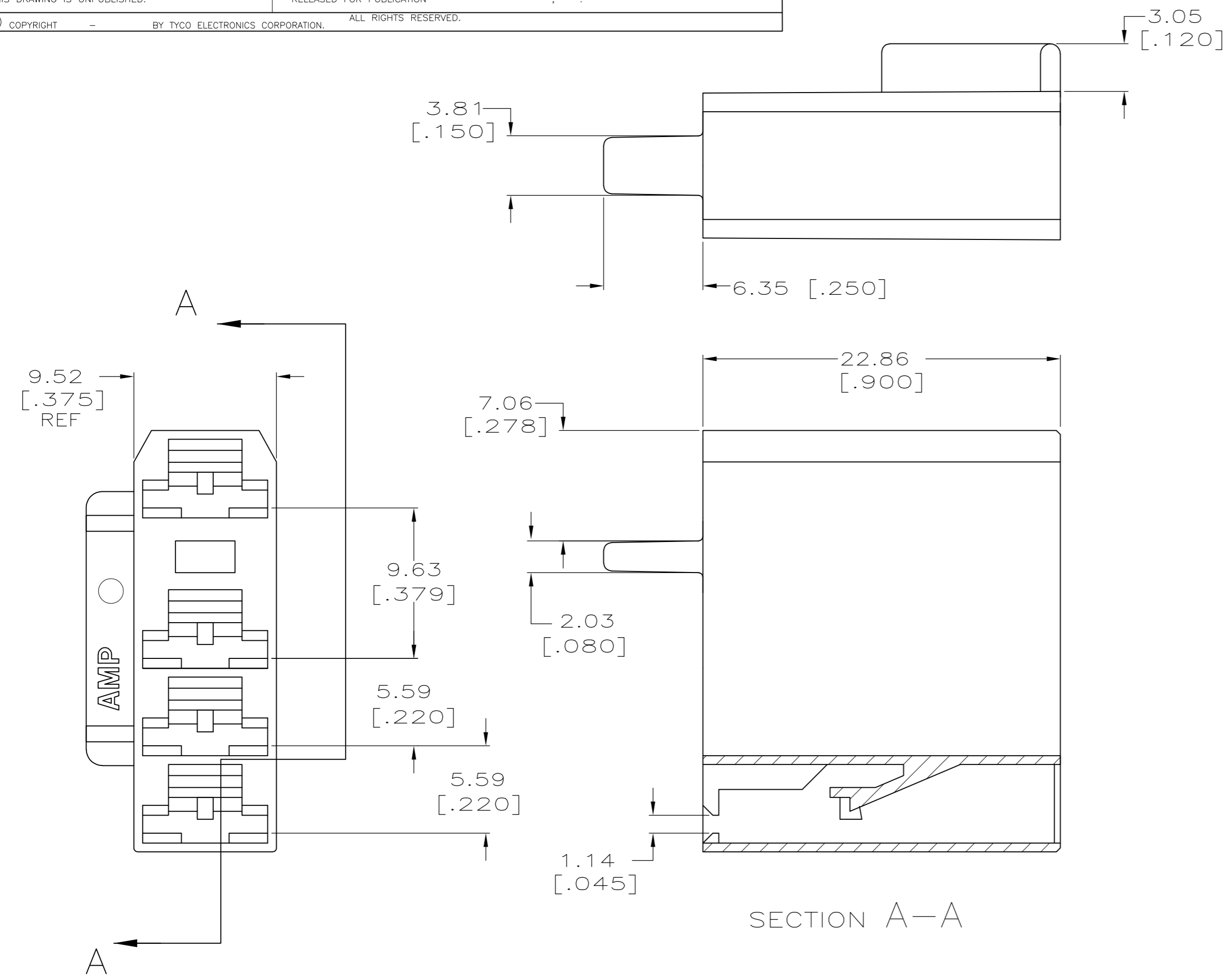


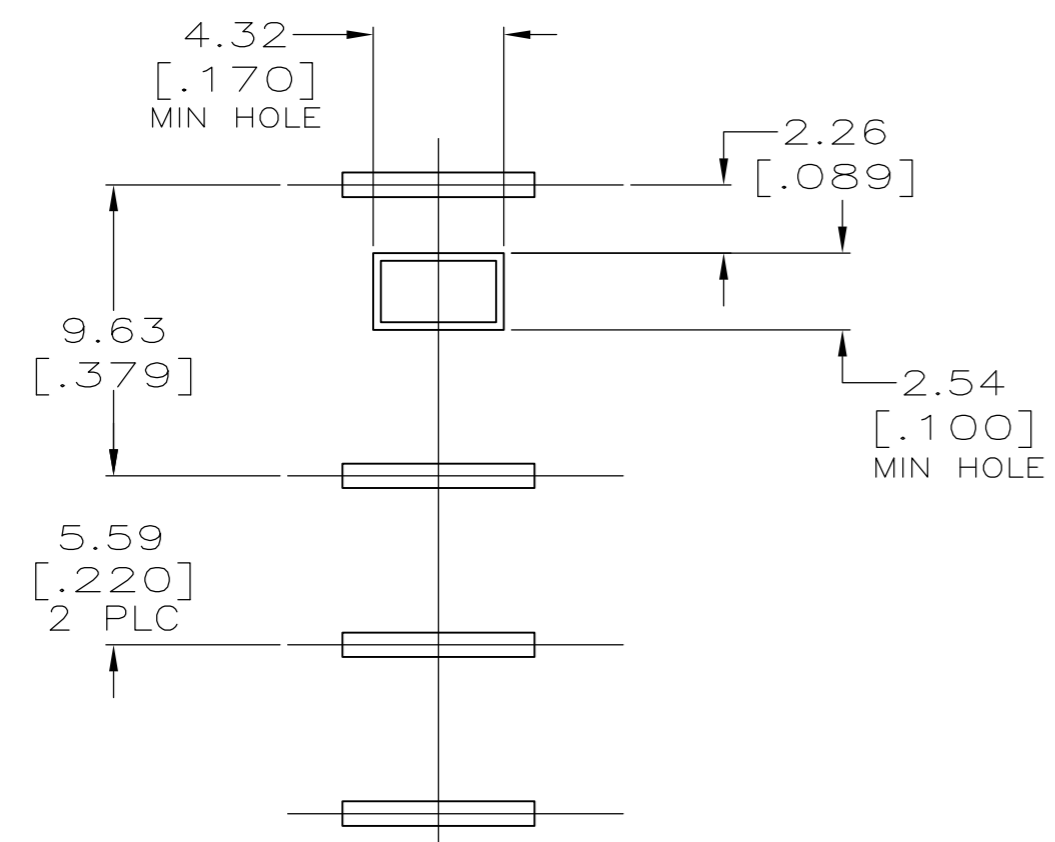
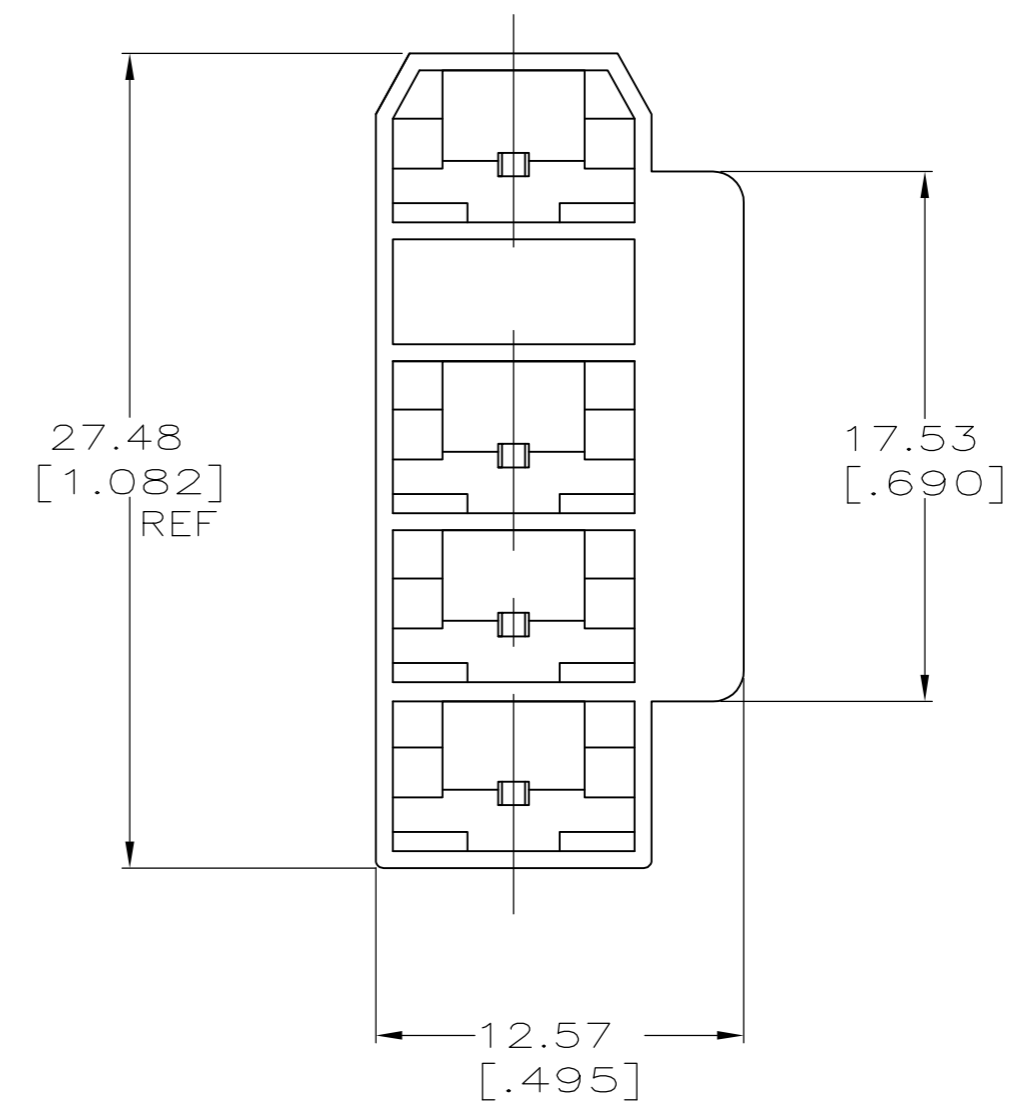
THIS DRAWING IS UNPUBLISHED. RELEASED FOR PUBLICATION  
 © COPYRIGHT BY TYCO ELECTRONICS CORPORATION. ALL RIGHTS RESERVED.

LOC		DIST		REVISIONS			
P	LTR	DESCRIPTION		DATE	DWN	APVD	
AF	50	B1	REVISED PER ECR-09-027342		18DEC09	HMR	PD

1 FOR USE WITH TYCO ELECTRONICS 250 SERIES LOW INSERTION RECEPTACLES.



SECTION A-A



SUGGESTED P.C.BOARD DIMENSIONS

BLACK	6/6 NYLON	521065-1
FINISH	MATERIAL	PART NUMBER

THIS DRAWING IS A CONTROLLED DOCUMENT.		DWN	JR RUTH	7/28/94	 Tyco Electronics Corporation Harrisburg, Pa 17105-3608		
DIMENSIONS: INCHES		CHK	MS FEHER	7/28/94			
TOLERANCES UNLESS OTHERWISE SPECIFIED:		APVD	-	-			
0 PLC ± - 1 PLC ± - 2 PLC ± - 3 PLC ± 0.25 [.010] 4 PLC ± - ANGLES ± -		PRODUCT SPEC	-	NAME		HOUSING, RECEPTACLE, FASTON, 6.35 [.250] SERIES	
MATERIAL	SEE TABLE	FINISH	SEE TABLE	WEIGHT	-		
CUSTOMER DRAWING		SCALE	4:1	SHEET	1 OF 1	REV	B1